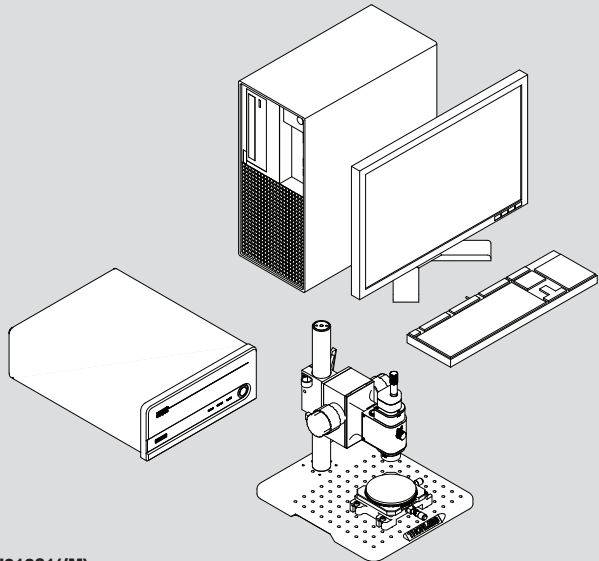


Ganymede™ Series OCT Systems

GANYMEDE SERIES PRECONFIGURED SYSTEMS					
ITEM #	GAN111C1(/M)	GAN312C1(/M)	GAN612C1(/M)	GAN332C1(/M)	GAN632C1(/M)
Base Unit	GAN111	GAN312	GAN612	GAN332	GAN632
Center Wavelength	880 nm				
Scanning System	OCTG9 (Standard Scanner)				
Scan Lens Kit	OCT-LK3-BB	OCT-LK3-BB	OCT-LK2-BB	OCT-LK2-BB	OCT-LK2-BB
Reference Length Adapter	OCT-RA3	OCT-RA3	OCT-RA3	OCT-RA2	OCT-RA2
Accessories	OCT-STAND(/M) and OCT-XYR1(/M)				



GAN612C1(/M)
The GAN612C1(/M) configuration consists of a GAN612 high-resolution and high-sensitivity 880 nm base unit, standard scanner, general-purpose scan lens kit, reference length adapter, stand, and stage.

GANYMEDE SERIES BASE UNIT SPECIFICATIONS					
	GAN111	GAN312	GAN612	GAN332	GAN632
Center Wavelength	880 nm				
Imaging Depth (Air/Water)	3.4 mm / 2.5 mm	3.4 mm / 2.5 mm	3.4 mm / 2.5 mm	1.6 mm / 1.2 mm	1.6 mm / 1.2 mm
Axial/Depth Resolution (Air/Water)	6.0 μm / 4.5 μm	6.0 μm / 4.5 μm	6.0 μm / 4.5 μm	<3.0 μm / <2.2 μm	<3.0 μm / <2.2 μm
A-Scan/Line Rate	1.5 kHz to 20 kHz	1.5 kHz to 80 kHz	5 kHz to 248 kHz	1.5 kHz to 80 kHz	5 kHz to 248 kHz
Sensitivity*	106 dB (at 1.5 kHz)	106 dB (at 1.5 kHz)	102 dB (at 5 kHz)	106 dB (at 1.5 kHz)	102 dB (at 5 kHz)
Base Unit Dimensions	411.8 mm x 325.0 mm x 143.0 mm				

*Typical Values Measured Using a Common Path Probe with 50% Beamsplitter

